



**Universal Fastener
Outsourcing, LLC**

NSDSN3490

PAPER TAPE STRIP NAILER

3 1/2" Paper Tape Strip Nailer

34° Paper Tape Nailer

Selectable Trigger

*Bump Fire Mode

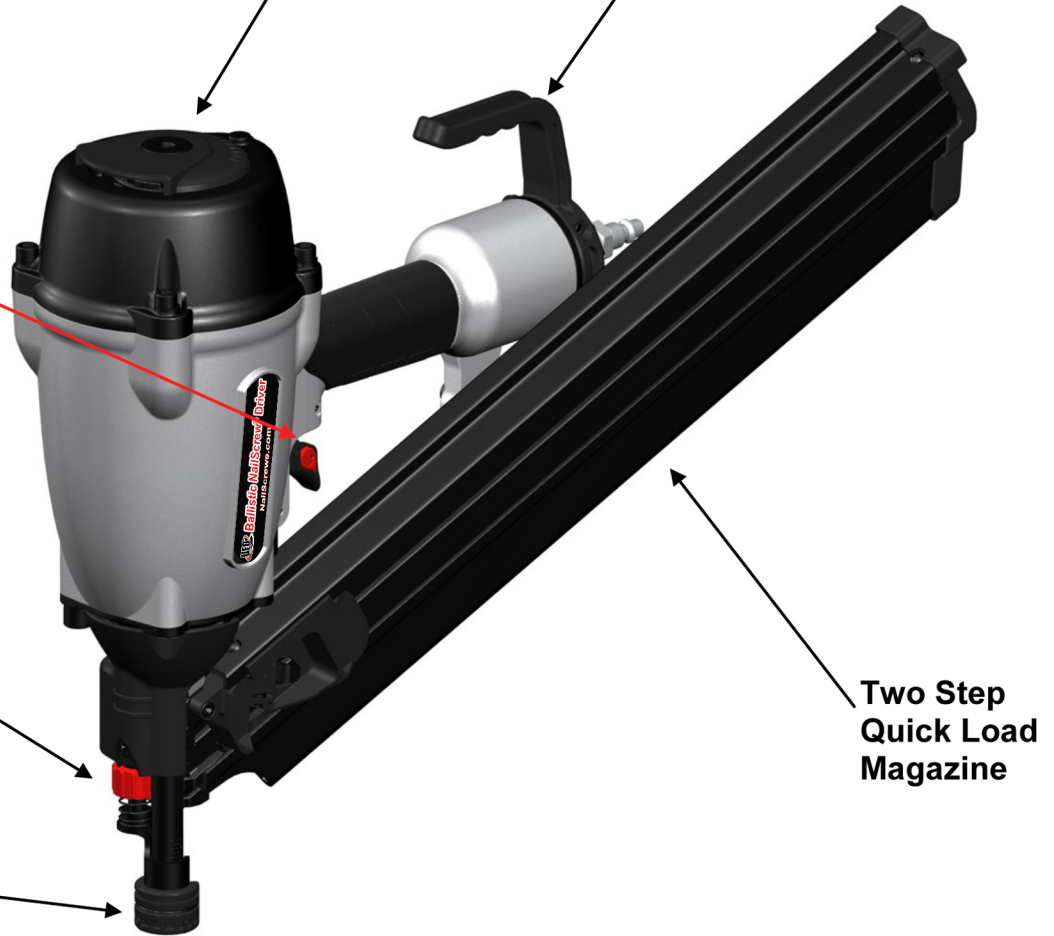
*Sequential Fire Mode

360° Rotational Exhaust

Adjustable Belt Hook

Adjustable
Depth Work
Contacting
Element

Aggressive
Toe Nailing
Bracket with
No Mar Tip



Two Step
Quick Load
Magazine

APPLICATIONS:

Framing, Decking, Trusses,
Sub Floor

NailScrew® Dimensions

30/34° Plastic Collated NailScrews®
2" - 3 1/2"

Model	Length	Width	Height	Weight	Operating pressure	Fastener Capacity
NSDSN3490	18.89"	4.9"	13.3"	7.7 lbs	80-120 psi	90



Universal Fastener Outsourcing

800-352-0028 or 479-443-9292

NAILSCREWS.COM